

MODEL MHP

Non-Inductive Planar Thick Film Power Resistor

20 Watt, TO 220 Package



APPLICATIONS

Switching Power Supplies
Snubbers
In-rush / Bleeder Resistors
Current Limiters

FEATURES

- High power density
- Power is dissipated above circuit board
- Low thermal resistance
- Non-flammable
- Non-Inductive planar

ELECTRICAL

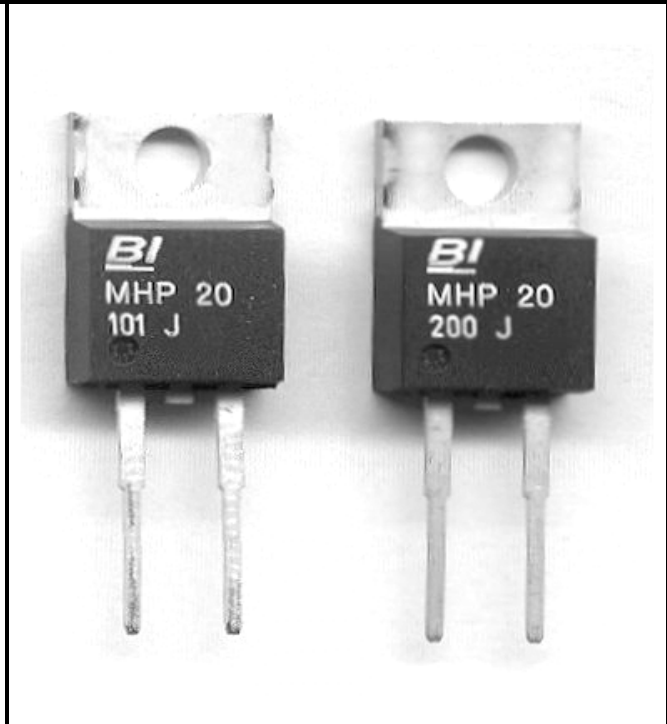
Resistance Range, Ohms	Ω to 100K
Resistance Tolerances	Standard 5%, Optional 1% & 2%
Operating Temperature Range	-55°C to +155°C
Temperature Coefficient of Resistance, Maximum	100ppm/°C
Power Ratings *	20 Watts
Operating Voltage, Maximum	300V
Peak Current	15 x rated current up to 8 ms (Δ R ±0.5%)
Dielectric Strength	1500V

* Power rating at 25 degC case temperature.
Power rating without a heat sink is 2.25 watts at 25 degC

STANDARD RESISTANCE VALUES (OHMS)

Value - Ohms	1	2	5	10	20	50	100	200	1K	2K	10K	20K	50K	100K
Code	1R0	2R0	5R0	100	200	500	101	201	102	202	103	203	503	104

- Specifications subject to change without notice.
- Contact factory for custom products, non standard values and tolerances.



Model MHP

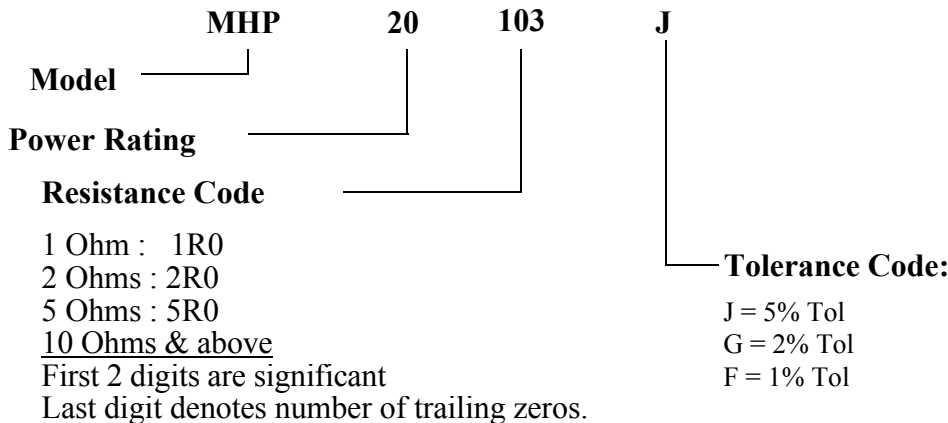
MECHANICAL

Lead Material	Tin Plated Copper Alloy
Substrate Material	96% Alumina
Resistor Material	Thick Film

ENVIRONMENTAL (PER MIL-PRF-83401)

Thermal Shock	$\Delta R \pm 0.50\%$
Terminal Strength	$\Delta R \pm 0.25\%$
Short Time Overload 2 X rated Power for 5 Seconds	$\Delta R \pm 0.50\%$
Moisture Resistance	$\Delta R \pm 0.50\%$
Mechanical Shock	30 G's, $\Delta R \pm 0.25\%$
Vibration Shock	10G's, 10 to 500 Hz $\Delta R \pm 0.25\%$
Low Temperature Storage	$\Delta R \pm 0.25\%$
High Temperature Exposure	$\Delta R \pm 0.25\%$
Load Life 1,000 Hours	$\Delta R \pm 2.00\%$
Resistance to Solder Heat	$\Delta R \pm 0.25\%$
Dielectric Withstanding Voltage, Minimum	1500 V
Marking Permanency	MIL-STD-202, Method 215
Lead Solderability	MIL-STD-202, Method 208
Flammability	UL 94V-0 Rated
Storage	-55°C to +155°C

ORDERING INFORMATION

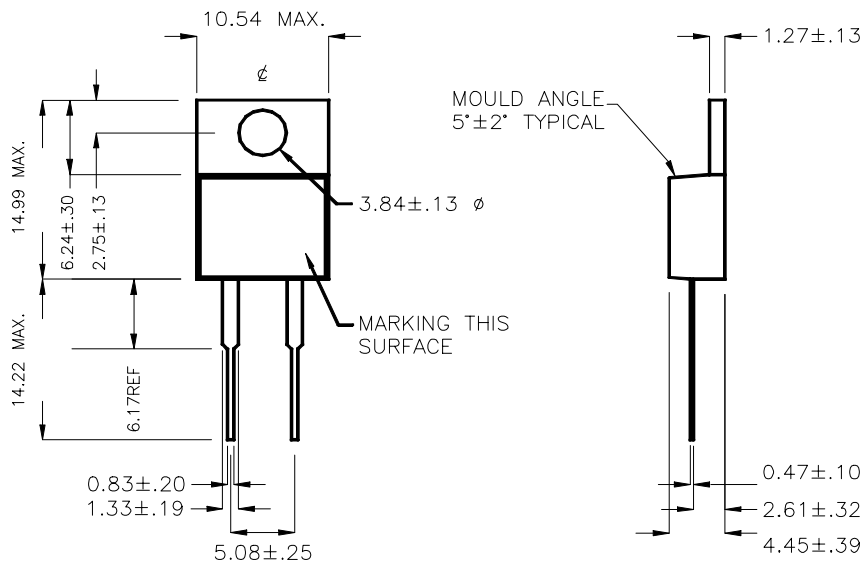


PACKAGING

50 per Tube

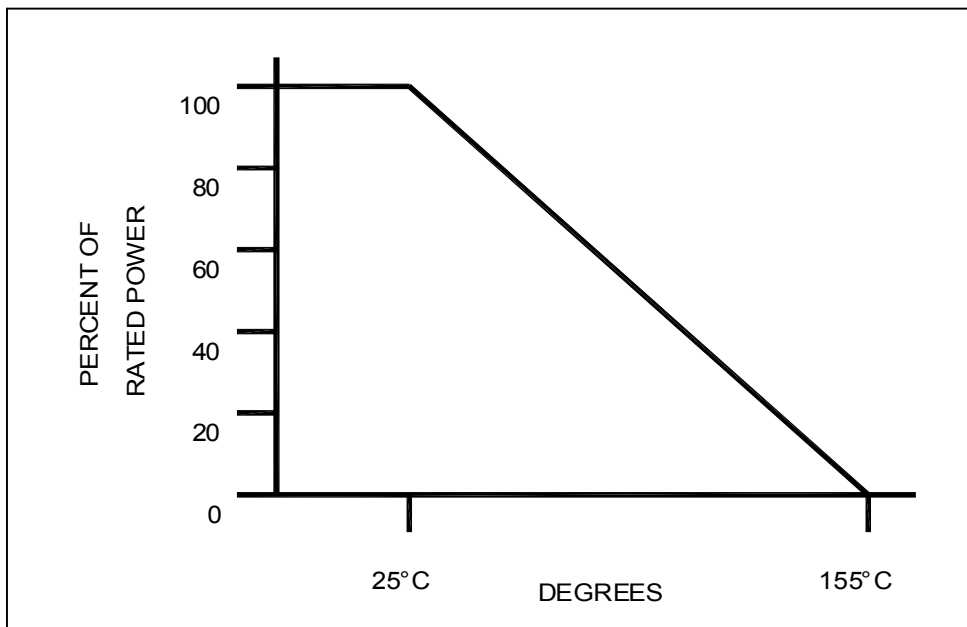
- Specifications subject to change without notice.
- Contact factory for custom products, non standard values and tolerances.

OUTLINE DIMENSIONS (mm/Inch)



SUBSTRATE MATERIAL: 96% ALUMINA CERAMIC
 LEAD MATERIAL: COPPER ALLOY, TIN PLATED
 RESISTOR MATERIAL: CERMET OVER AgPd CONDUCTOR

POWER DERATING CURVE



- Specifications subject to change without notice.
- Contact factory for custom products, non standard values and tolerances.