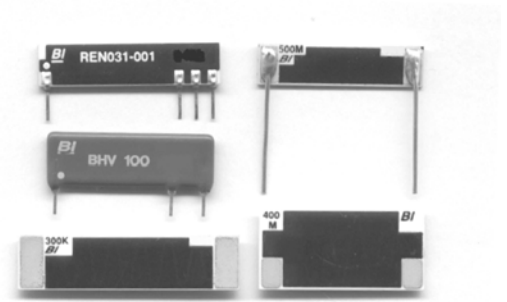


MODEL BHV SERIES

High Voltage/High Value

Thick Film SIP

Epoxy Coated Resistors



APPLICATIONS

- Photomultiplier power supplies
- Voltage sense in high voltage power supplies
- High Voltage bleeder resistors
- Deflection circuitry in display systems and monitors

ELECTRICAL

Resistance Range

Tolerance

Temperature Coefficient of Resistance

Voltage Coefficient

1 Giga Ohm maximum

Standard: $\pm 5\%$, $\pm 10\%$

Custom: $\pm 1\%$, $\pm 2\%$

± 150 ppm/ $^{\circ}\text{C}$ Maximum

2 ppm/V Maximum

ENVIRONMENTAL (Per MIL – PRF – 83401)

Operating Temperature Range

-55°C to $+125^{\circ}\text{C}$

Thermal Shock

$\Delta R: \pm 0.50\%$

Terminal Strength

$\Delta R: \pm 0.25\%$

Moisture Resistance

$\Delta R: \pm 0.50\%$

Mechanical Shock

$\Delta R: \pm 0.25\%$

Vibration

$\Delta R: \pm 0.25\%$

Low Temperature Storage

$\Delta R: \pm 0.25\%$

High Temperature Exposure

$\Delta R: \pm 0.25\%$

Load Life, 1000 Hours

$\Delta R: \pm 1.00\%$

Resistance to Solder Heat

$\Delta R: \pm 0.25\%$

Dielectric Withstanding Voltage

5000 V Minimum

Marking Permanency

MIL – STD – 202, Method 215

Lead Solderability

MIL – STD – 202, Method 208

Flammability

UL 94V- 0 Rated

Storage Temperature Range

-55°C to $+125^{\circ}\text{C}$

Consult factory for Voltage dividers and application specific devices

Specifications subject to change without notice

Model BHV

MECHANICAL

Cover Coat

Style RS, PW & PF: Polymer Cover Coat

Substrate

Styles RF & RW: Epoxy

Resistor

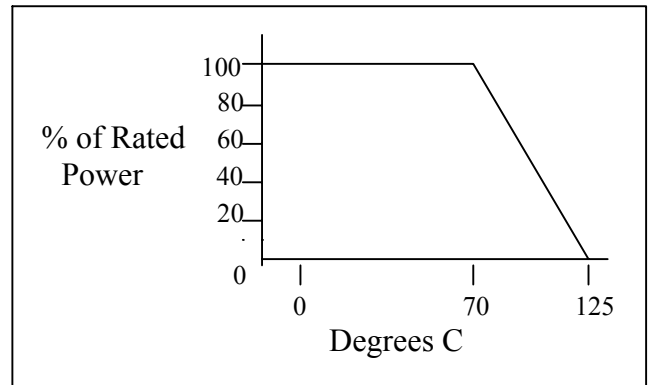
Alumina

Cermet

POWER (WATTS) DISSIPATION AT 70°C

Model	Power (Max)
BHV 10	1.0
BHV 15	1.5
BHV 20	2.0
BHV 30	3.0

POWER DERATING CURVE



ORDERING INFORMATION

Model	BHV	10	RS	XXX	J	Tolerance
Voltage Rating KV						F = ± 1%
Style						G = ± 2%
						J = ± 5%
						K = ± 10%
						Resistance Code
						First 2 digits are significant
						Last digit denotes number of trailing zeros

RS = Polymer coated substrate with solder pads
 RW = Epoxy coated package with round wire
 RF = Epoxy coated package with flat leads
 PF = Polymer coated substrate with flat leads
 PW = Polymer coated substrate with round wire

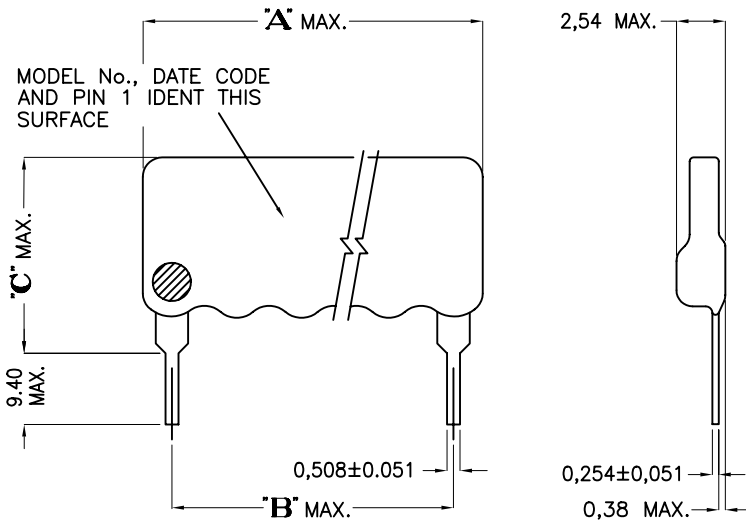
PACKAGING

Standard:	Box	Capacity	100 units
-----------	-----	----------	-----------

Consult factory for Voltage dividers and application specific devices

OUTLINE DIMENSIONS (mm)

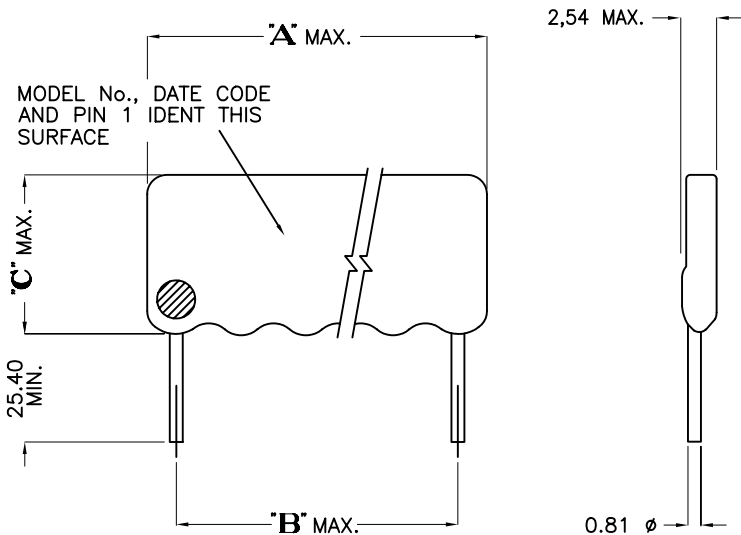
BHVXXRF/PF



MODEL	VOLTAGE MAX	A	B	C
BHV10RF/PF	10kV	24.2	20.32	10.16 MAX.
BHV15RF/PF	15kV	29.3	25.40	12.70 MAX.
BHV20RF/PF	20kV	37.6	33.02	15.24 MAX.
BHV30RF/PF	30kV	59.7	50.80	15.24 MAX.

'RF' MODELS ARE EPOXY RESIN DIPPED
'PF' MODELS ARE POLYMER PRINT PROTECTED.

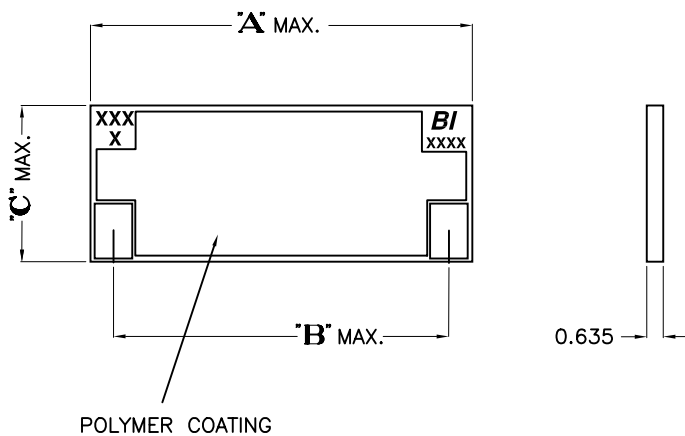
BHVXXRW/PW



MODEL	VOLTAGE MAX	A	B	C
BHV10RW/PW	10kV	24.2	20.32	10.16 MAX.
BHV15RW/PW	15kV	29.3	25.40	12.70 MAX.
BHV20RW/PW	20kV	37.6	33.02	15.24 MAX.
BHV30RW/PW	30kV	59.7	50.80	15.24 MAX.

'RW' MODELS ARE EPOXY RESIN DIPPED
'PW' MODELS ARE POLYMER PRINT PROTECTED.

BHVXXRS



MODEL	VOLTAGE MAX	A	B	C
BHV10RS	10kV	22.86	20.32	7.62 MAX.
BHV15RS	15kV	27.94	25.40	10.16 MAX.
BHV20RS	20kV	36.32	33.02	12.70 MAX.
BHV30RS	30kV	58.42	50.80	12.70 MAX.

SCHEMATIC - ALL MODELS

