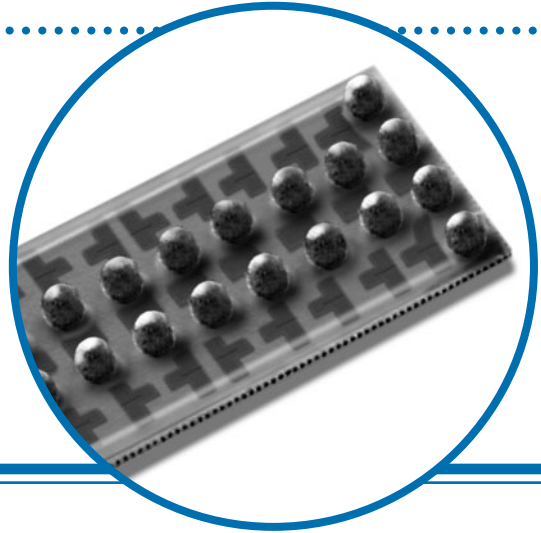


# Model BB1020DT

## Sales Aid

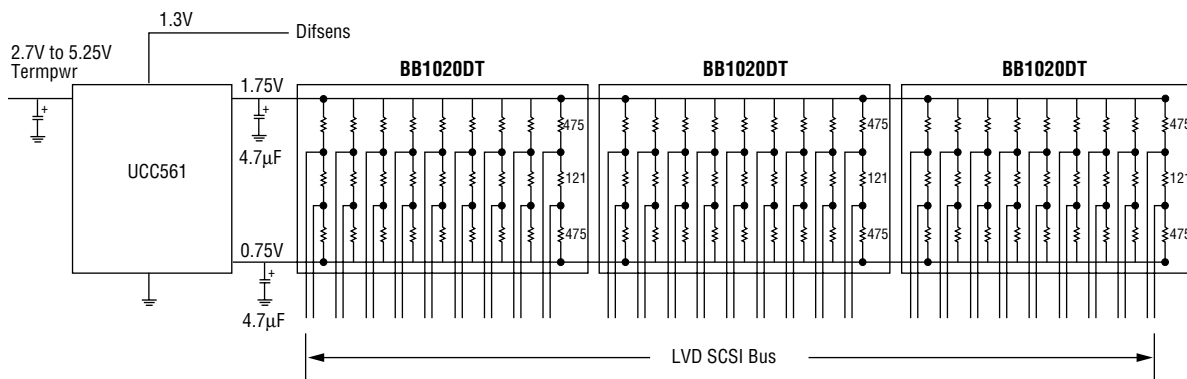
**Low Voltage Differential (LVD)**  
**SCSI Resistor Termination**  
**Network with 9 Channels**  
**in a BGA Package Style**



## Features & Benefits

- Low voltage differential (LVD) SCSI termination
  - SPI Ultra 160 & Ultra 320 compatible
  - Matching resistors 475/121/475 ohm pairs
- BGA interface
  - Lowest stray capacitance and inductance
  - Excellent high frequency performance
  - Minimizes required board space
- 9 channel configuration per device
  - Easy to configure 27 line wide SCSI bus with 3 BB1020DTs
  - Simple interface to the voltage reference IC
- Thick film technology
  - Higher reliability
  - Best matched resistors
  - All high temperature solder system eliminates dropped solder balls
- Low cost solution
  - Reduced component placements
  - Less than 1/2 the cost of monolithic solutions

## Typical Circuit



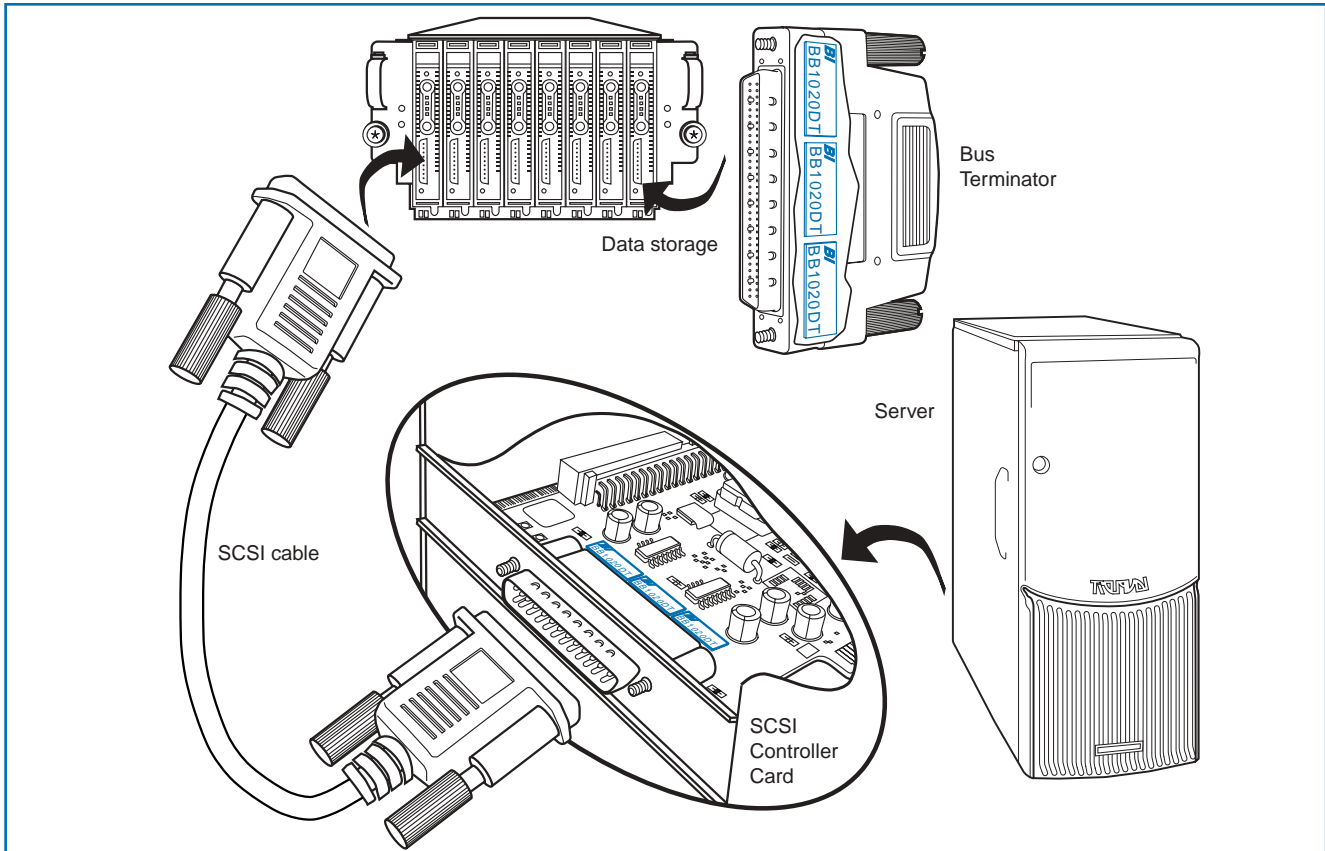
### General Note

BI Technologies reserves the right to make changes in product specification without notice or liability. All information is subject to BI's own data and is considered accurate at time of publication.

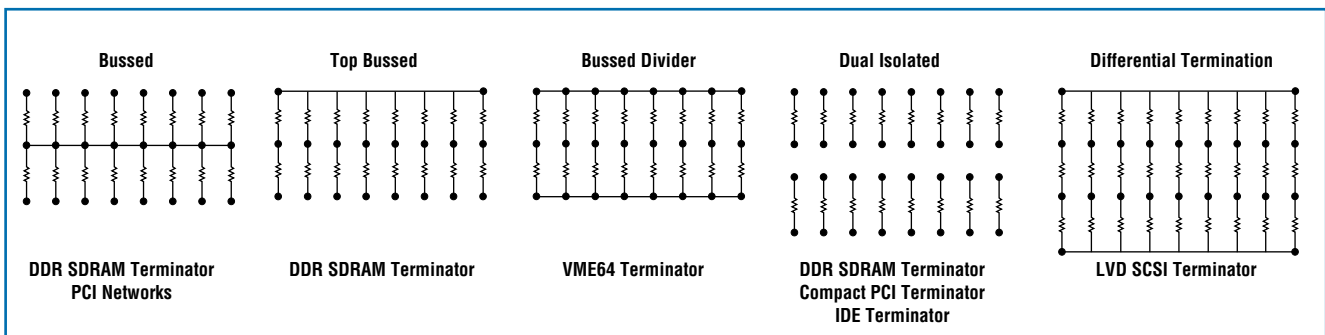
© BI Technologies • 4200 Bonita Place, Fullerton, California 92835-1053 USA  
 Telephone: (714) 447-2345 • Facsimile: (714) 388-0047 • Email: sales@bitechnologies.com • Website: www.bitechnologies.com

## Applications

- Servers
- Hard drives
- RAID systems
- Streaming and HD video
- Computers
- SCSI cables
- Tape drives
- Bus terminator



## Standard Circuit Configurations



## Contact BI Technologies

For assistance with your application or price and delivery information contact BI Technologies product marketing at **(714) 447-2345**, by fax: **(714) 388-0047**, by email: **sales@bitechnologies.com** or contact your local BI distributor.