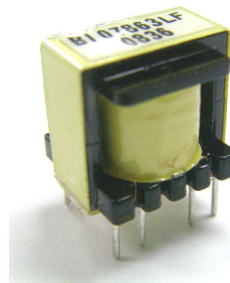


HM00-07863LF

Flyback Transformer

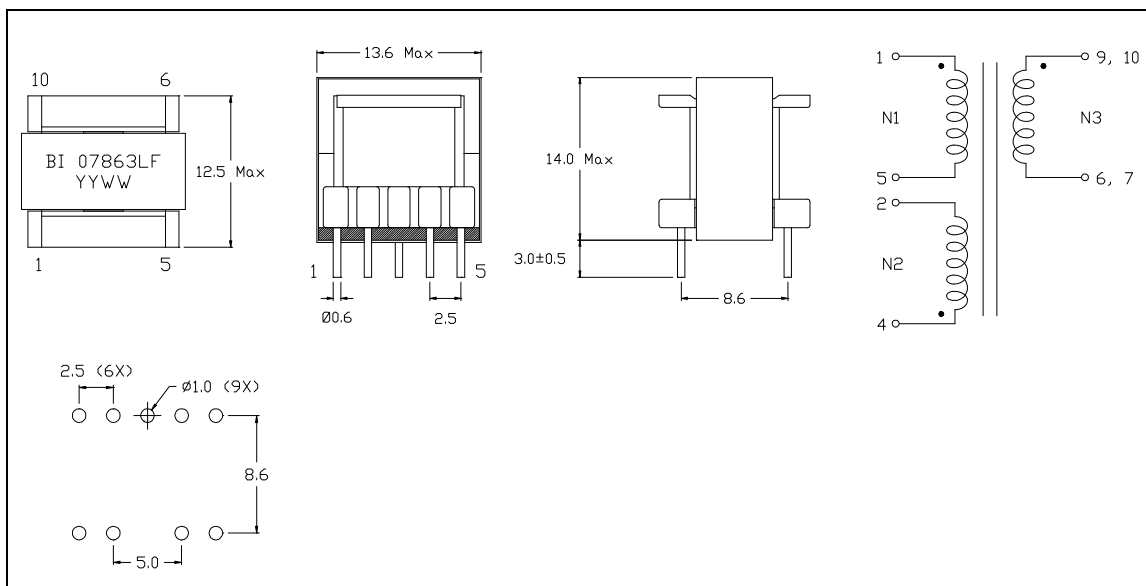
- SMPS flyback topology
- Reinforced insulation, 1800Vdc dielectric strength
- RoHS compliant
- Custom modifications available



Specification @ 25°C

PARAMETER	TEST CONDITION	TERMINAL	MIN	TYP	MAX	UNIT
Inductance	100kHz, 0.1Vac, 0Adc	1 – 5	1.84	2.30	2.76	mH
Leakage Inductance	100kHz, 0.1Vac, 0Adc (6,7,9,10 shorted)	1 – 5			60	uH
DCR		1 – 5		8.6	9.2	Ω
		4 – 2		2.2	2.5	Ω
		9 – 6		65	70	m Ω
		10 – 7		82	88	m Ω
Turn Ratio		N1 – N2	6.4 Ref			
		N1 – N3	20 Ref			
Hi-Pot	1800Vdc	1,4 – 9,10	GO / NO GO			
	500Vdc	1 – 4				

Outline Dimensions (mm) / Schematic



Packaging

- One box 250pcs