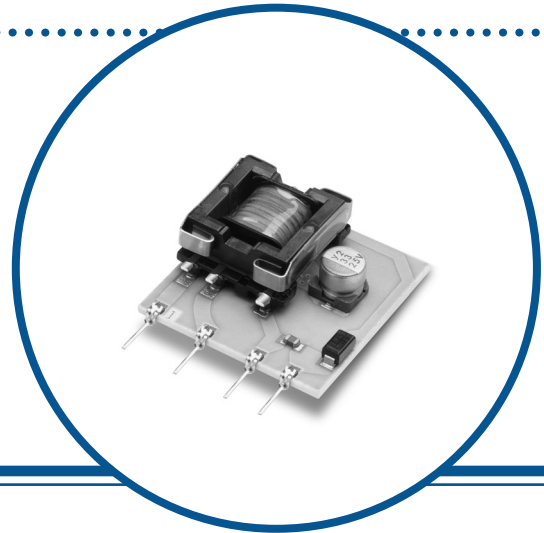


Model 830-004

Sales Aid

**Fully isolated DC/DC converter
with universal input supplying
up to 6 watts of continuous
output power**

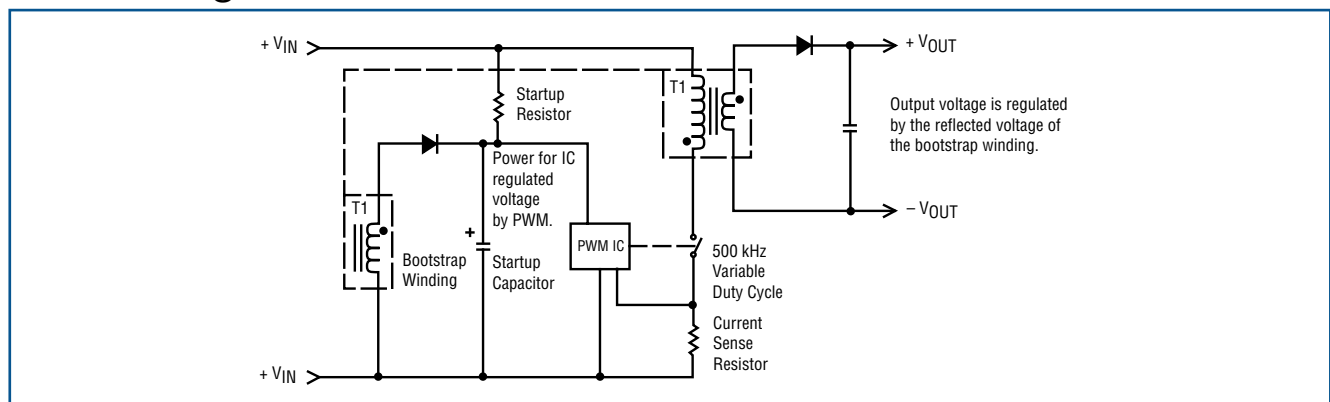
UL and CSA recognition pending



Features / Benefits

- Line regulation (Universal Input Voltage 110-375 Vdc)
Wide input range
No switching or jumper required (auto range)
- 500 kHz switching frequency
Allows smaller output capacitor
Smaller overall size
- Alumina substrate
Provides superior heat transfer
Provides higher voltage isolation
No heat sink required
- Thick film resistors
Higher reliability
Higher integration
Cost effective solution

Block Diagram

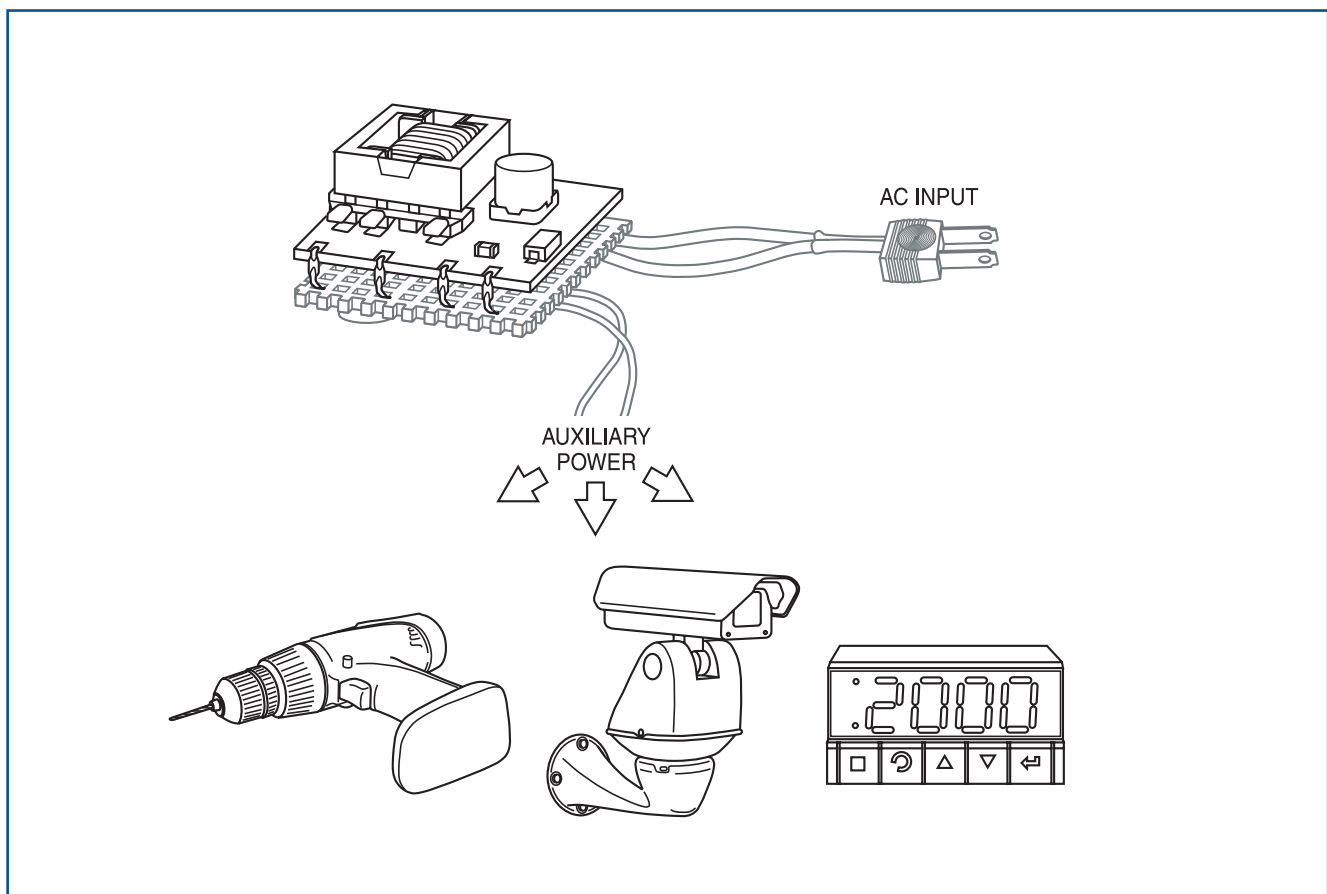


General Note

BI Technologies reserves the right to make changes in product specification without notice or liability. All information is subject to BI's own data and is considered accurate at the time of publishing.

Applications

- Server management
- Industrial controls
- Consumer appliances
- Medical equipment
- Battery chargers
- Relay drivers
- HID lighting control
- Motor controllers
- Power tools
- Thermostat controls
- Lighting controls
- Solenoid valves



Contact BI Technologies

For assistance with your application or price and delivery information contact BI Technologies product marketing at **(714) 447-2345**, by fax: **(714) 447-2500**, by email: **sales@bitechnologies.com** or contact your local BI distributor.