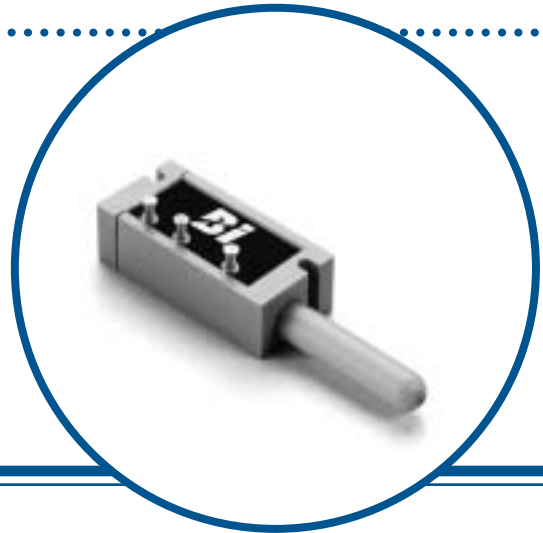


# Model 404 Sales Aid

**Model 404 is a miniature, precision, linear sensor. An absolute position sensor at a low cost compared to RVDT, LVDT, larger linear potentiometers and gear potentiometers.**



## BI Benefits

- Element manufacturing in Fullerton, CA on state-of-the-art, high-speed automated equipment
- Assembly manufacturing in Mexicali, MX employing automated assembly processes which ensures robust, repeatable manufacturing lots
- QS9000 certification at all BI Facilities
- Over 50 years of engineering and technical design leadership
- Company wide commitment to ongoing process improvement and manufacturing cost reductions
- Major stocking distributors working with customer base to promote special products

## Product Benefits

- Rugged design suitable for commercial, automotive and heavy equipment applications
- Custom designed unit has full automotive PPAP Level 3 approval
- Both spring return (standard) and non-spring return (custom) versions available

## The Competition

- Only one competitor
- Competition's pricing is typically 20% and more higher
- BI Technologies' standard linearity is 1% vs competitor's 2%
- BI Technologies offers a range of resistances (1K to 150K) vs only one standard resistance (1.7K) offered by the competition.
- BI's unit employs a separate CP substrate to ensure continuity and eliminate intermittent failure mode
- BI employs an advanced proprietary contact system

### General Note

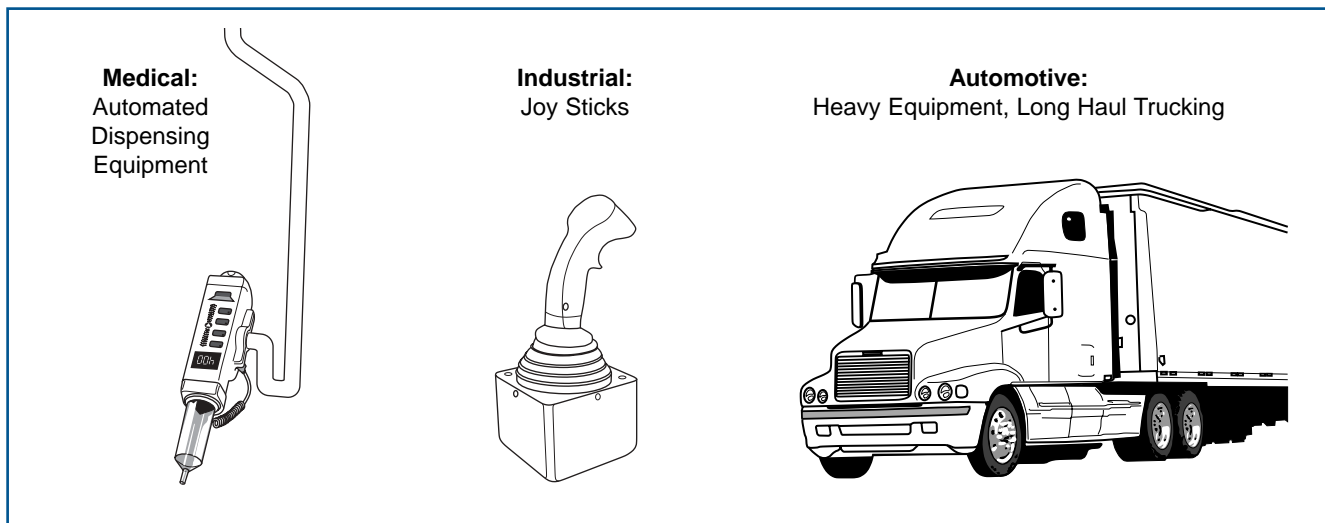
BI Technologies reserves the right to make changes in product specification without notice or liability. All information is subject to BI's own data and is considered accurate at time of publication.

© BI Technologies • 4200 Bonita Place, Fullerton, California 92835-1053 USA  
Telephone: (714) 447-2345 • Facsimile: (714) 447-2500 • Email: sales@bitechnologies.com • Website: www.bitechnologies.com

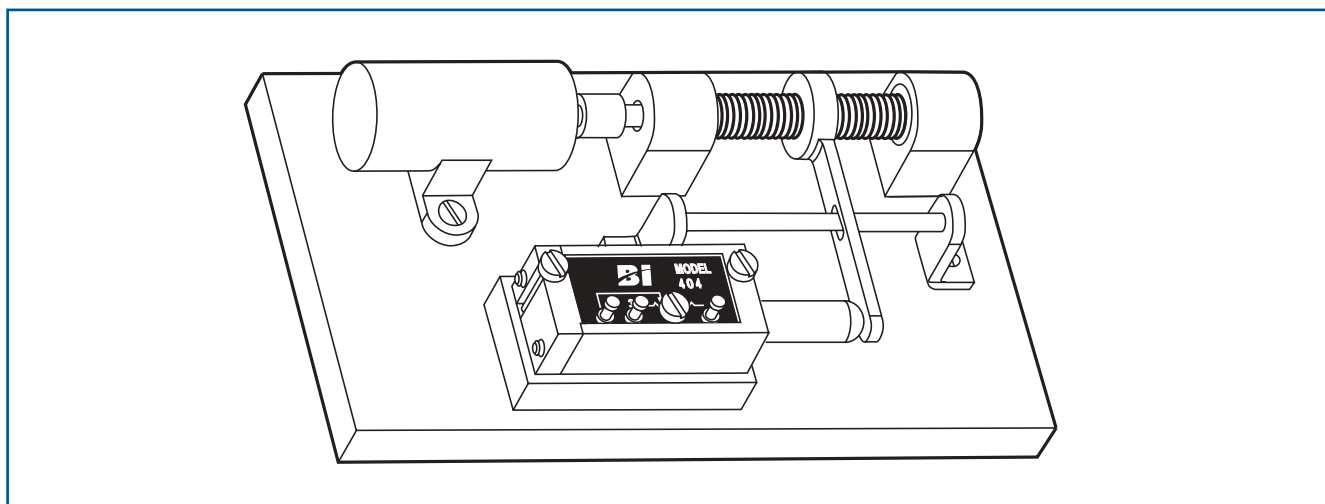
## Applications

- X-Y axis positioning
- Joysticks
- Robotic arms
- HVAC damper positioning
- Foot pedal / pedal sensors
- Industrial equipment
- Medical equipment
- Injection molding equipment

## Application Examples



## Installation Diagram (Typical Example)



## Contact BI Technologies

For assistance with your application or price and delivery information contact BI Technologies product marketing at **(714) 447-2345**, by fax: **(714) 447-2500**, by email: **sales@bitechologies.com** or contact your local BI distributor.